

SYLVANIA LED PAR16 Lamps



Key Features & Benefits

- Long life: rated up to 10,000 hours (L₇₀)
- Available in 3000K color temperature
- UV and IR free
- Suitable for indoor use only
- RoHS compliant
- Mercury and lead free
- Lasts over 3 times longer than halogen lamps
- No warm-up time, instant-on with full light output and stable color



SYLVANIA LED PAR16 lamps last over 3 times longer than halogen PAR16 lamps and are a high quality replacement for 35W halogen PAR16 lamps. They are free of UV and IR radiation, minimizing discoloration and fading of materials. These LED lamps will reduce energy and maintenance cost when compared with conventional halogen light sources.

Product Offering

Ordering Abbreviation	Wattage	Beam Angle
PAR16	5	36°

Application Information

Applications

- Recessed downlighting
- Track lighting
- Wall washers

Market Segments

- Art galleries and museums
- Hospitality
- Offices
- Residential
- Restaurants
- Retail

Application Notes

1. Operating temperature range between -4°F and +104°F (-20°C and +40°C) 5W
2. Suitable for indoor use only
3. Not intended for use with emergency light fixtures or exit lights
4. Use in open fixture

This device complies with part 15 of the FCC Rules. Operation is subject to the following two conditions: (1) This device may not cause harmful interference, and (2) this device must accept any interference received, including interference that may cause undesired operation. For FCC Part 15 user information, please see www.sylvania.com/fcc15b



Specification Data

Catalog #	Type
Project	
Comments	
Prepared by	

Ordering Information

Item Number	Ordering Abbreviation	Wattage (W)	Base Type	Replaces	Input Voltage (V)	Average Rated Life (hrs.) ¹	CCT ³	Typical Lumens (lm) ²	CBCP (cd)	CRI ⁴	Beam Angle	Power Factor	ENERGY STAR [®]
79274	LED5PAR16/GU10/830/FL36/10HRBL	5	GU10	35WPAR16	120	10,000	3000K	350	650	81	36°		No

1. Hours lifetime with 70% lumen maintenance 2. Thermally stable typical lumens (±10%) 3. Thermally stable typical CCT (±10%) 4. CRI – Color Rendering Index

Ordering Guide

LED	5	PAR16	/	GU10	/	830	/	FL	36
LED Lamps and Retrofits	Wattage: 5	Lamp Type: PAR16		Base Type: GU10		CRI, CCT: 830: 81 CRI, 3000K CCT		Beam Type: FL: Flood	Beam Angle: 36°

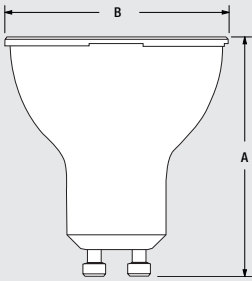
Energy Savings

Basic Product Description	LED Life (hrs.)	Similar Halogen	Halogen Life (hrs.)	Watts Saved	Energy Savings*	LED Life vs. Halogen
LED5PAR16	10,000	35PAR16	3,000	30	\$33	3.3X

*Energy savings over life of lamp calculated at \$0.11/kWh

Lamp Dimensions

	(A) MOL (inches)	(B) Diameter (inches)
LED5PAR16	3.10	1.97



Sample Specification

Lamps shall be SYLVANIA ULTRA PAR16 LED with a 10,000 hour average rated life. Lamps shall be energy efficient, UV & IR free. Should have a beam angle of 36 degrees.

OSRAM

Americas Headquarters

OSRAM SYLVANIA Inc.

200 Ballardvale Street

Wilmington, MA 01887 USA

Phone 1-800-LIGHTBULB (1-800-544-4828)

www.sylvania.com

SYLVANIA is a registered trademark of OSRAM SYLVANIA Inc.
LED CREATING TOMORROW is a registered trademark of OSRAM GmbH.
ENERGY STAR is a registered trademark of the U.S. Government.
Specifications subject to change without notice.



[/sylvania](#) [/sylvania](#)