

Contractor Series LED BR30 Lamp



11,000 Hour Life



Rated up to 11,000 hours at 70% lumen maintenance, Contractor Series LED BR30 lamps offer years of service and reduce energy and maintenance costs. Contractor Series LED BR30 lamps are environmentally preferred products. They are RoHS compliant and contain no mercury, lead or other hazardous materials. They emit no UV or IR radiation. A CRI of 80+ ensures good color definition. Available in warm white 2700K CCT and bright white 5000K CCT, these lamps offer a great value in both homes and businesses.

Key Features & Benefits

- Dimmable down to 10%*
- Rated life: up to 11,000 hours (L₇₀)
- Damp location rated
- 2700K and 5000K color temperature options
- Good color quality
- Lightweight
- Energy savings up to 86%
- Longer life than traditional incandescent lamps
- No warm-up time, instant on with full light output and stable color
- Smooth heat sink design

*Performance may vary depending on dimmer used in application. Please refer to Dimmer Compatibility List (RETRO-DIM) for a list of compatible dimmers or visit www.SYLVANIA.com/LEDretrofit



Product Offering

Ordering Abbreviation	Wattage	Typical Lumens	Color Temperature
BR30 LED	9	650	2700K & 5000K

Application Information

Applications

- General lighting
- Recessed downlights
- Track lighting
- Wall washer

Market Segments

- Art galleries
- Hospitality
- Museums
- Offices
- Residential
- Restaurants
- Retail

Application Notes

1. Operating temperature -4°F to +104°F (-20°C to +40°C)
2. Not for use with emergency light fixtures or exit lights
3. Use in open fixture
4. Suitable for outdoor use in UL rated fixtures where protected from the weather

This device complies with part 15 of the FCC Rules. Operation is subject to the following two conditions: (1) This device may not cause harmful interference, and (2) this device must accept any interference received, including interference that may cause undesired operation. For FCC Part 15 user information, please see www.sylvania.com/fcc15b



Catalog #	Type
Project	
Comments	
Prepared by	

Ordering Information

Item Number	Ordering Abbreviation	Wattage (W)	Base Type	Replaces	Input Voltage (V)	Average Rated Life (hrs.) ¹	CCT ³	Typical Lumens (lm) ²	CRI ⁴	Power Factor	ENERGY STAR [®]
73954	LED9BR30/DIM/827/10YV/RP2	9	Medium	65W	120	11,000	2700K	650	80	0.7	No
73956	LED9BR30/DIM/850/10YV/RP2	9	Medium	65W	120	11,000	5000K	650	80	0.7	No

- 1. Hours lifetime with 70% lumen maintenance
- 2. Thermally stable typical lumens (±10%)
- 3. Thermally stable typical CCT (±10%)
- 4. CRI – Color Rendering Index

Ordering Guide

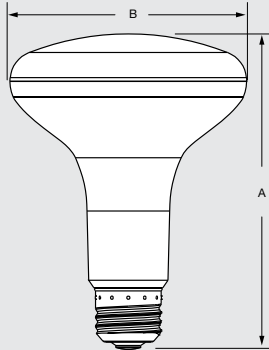
LED	9	BR30	/	DIM	/	8	27	/	10YV	/	RP2
LED Lamps and Retrofits	Wattage: 9	Lamp Type: BR30		Dimmable		CRI=80	Color Temperature 2700K 5000K		11,000 Hours Life		Retail 2 Pack

Energy Savings

Basic Product Description	LED Life (hrs.)	Similar Incandescent	Incandescent Lumens	Watts Saved	Energy Savings	LED Life vs. Incandescent
LED 9W BR30	11,000	65BR30	610	56	\$68.00	4.4x

Lamp Dimensions

(A) MOL (inches)	(B) Diameter (inches)
LED BR30	5.00 / 3.74



OSRAM SYLVANIA Inc.
 100 Endicott Street
 Danvers, MA 01923 USA
 Phone 1-800-LIGHTBULB (1-800-544-4828)
 www.sylvania.com

SYLVANIA is a registered trademark of OSRAM SYLVANIA Inc.
 OSRAM is a registered trademark of OSRAM GmbH.
 LED CREATING TOMORROW is a registered trademark of OSRAM GmbH.
 ENERGY STAR is a registered trademark of the U.S. Government.
 Specifications subject to change without notice.

[/sylvania](#) [/sylvania](#)

